

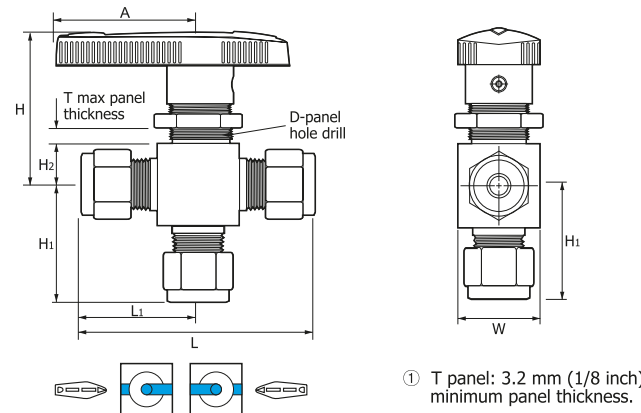
Válvula de Bola V823

Datos Técnicos V82

Válvulas Series	Calificación Presión		Temperatura Rango
	psig	bar	PTFE seat
V823A, V823B	2500	172	10 °C to 65 °C
V823C, V823D	1500	103	(50 °F to 150 °F)

Datos Técnicos VL82

Válvulas Series	Calificación Presión		Temperatura Rango
	psig	bar	PTFE seat
VL823A, VL823B	2500	172	-54 °C to 65 °C
VL823C, VL823D	1500	103	(-65°F to 150 °F)



Flujo de Datos

2- Vías

Cv	Agua US GPM (L/min)			Aire SCFM (NL/min)		
	@21°C (70°F)			@21°C (70°F)		
	Pressure Drop to Atmosphere (Δp) psi (bar)					
	10(0.7)	50 (3.5)	100 (7.0)	10 (0.7)	50 (3.5)	100 (7.0)
0.1	0.3(1.1)	0.7 (2.6)	1.0 (3.8)	1.1 (31)	3.0 (85)	5.3 (150)
0.2	0.6(2.3)	1.4 (5.3)	2.0 (7.6)	2.3 (76)	6.0 (215)	11.0 (396)
0.5	1.6 (5.7)	3.5 (13.2)	5.0 (18.9)	5.6 (195)	15.0 (538)	27.0 (963)
0.6	1.9 (7.2)	4.2 (15.9)	6.0 (22.7)	6.8 (235)	18.0 (651)	32.0 (1161)
0.9	2.8 (10.6)	6.4 (23.8)	9.0 (34.0)	10.0 (340)	27.0 (963)	48.0 (1720)
1.2	3.8 (14.0)	8.5 (31.8)	12.0 (45.4)	14.0 (481)	36.0 (1303)	64.0 (2294)
1.5	4.7 (17.8)	11.0 (41.6)	15.0 (56.8)	17.0 (595)	45.0 (1614)	80.0 (2832)
2.4	7.6 (28.4)	17.0 (64.3)	24.0 (90.8)	27.0 (935)	72.0 (2606)	120.0 (4531)
2.6	8.2 (31.0)	18.0 (68.1)	26.0 (98.4)	29.0 (1020)	78.0 (2804)	140.0 (5098)
3.0	9.5 (35.6)	21.2 (79.5)	30.0 (113.6)	34.0 (1189)	90.0 (3115)	160.0 (5664)
6.0	19.0 (71.9)	42.0 (159.0)	60.0 (227.1)	68.0 (2351)	180.0 (6514)	320.0 (11611)
6.3	19.9 (75.5)	44.5 (170.3)	63.0 (237.0)	71.0 (2464)	190.0 (6797)	340.0 (12178)
6.4	20.2 (75.7)	45.3 (170.3)	64.0 (242.2)	72.0 (2520)	190.0 (6797)	340.0 (12178)
12.0	37.9 (143.8)	84.9 (321.7)	120.0 (454.2)	130.0 (4814)	360.0 (13027)	640.0 (22939)

Patrón de Ángulo - 3 vías

Cv	Agua US GPM (L/min)			Aire SCFM (NL/min)		
	@21°C (70°F)			@21°C (70°F)		
	Pressure Drop to Atmosphere (Δp) psi (bar)					
	10 (0.7)	50 (3.5)	100 (7.0)	10 (0.7)	50 (3.5)	100 (7.0)
0.08	0.3 (1.1)	0.6 (2.3)	0.8 (3.0)	0.9 (26)	2.4 (68)	4.3 (122)
0.15	0.4 (1.5)	1.0 (3.8)	1.5 (5.7)	1.7 (57)	4.5 (161)	8.0 (286)
0.30	0.9 (3.4)	2.1 (7.9)	3.0 (11.4)	3.4 (116)	9.0 (312)	16.0 (566)
0.35	1.1 (4.2)	2.4 (9.1)	3.5 (13.2)	4.0 (136)	10.0 (368)	19.0 (680)
0.75	2.3 (8.7)	5.3 (20.1)	7.5 (28.4)	8.5 (283)	22.0 (821)	40.0 (1444)
0.80	2.5 (9.5)	5.6 (21.2)	8.0 (30.3)	9.0 (312)	24.0 (878)	42.0 (1529)
0.90	2.8 (10.6)	6.3 (23.8)	9.0 (34.1)	10.0 (340)	27.0 (963)	48.0 (1728)
1.5	4.7 (17.8)	11.0 (41.6)	15.0 (56.8)	17.0 (595)	45.0 (1614)	80.0 (2832)
1.7	5.3 (20.1)	12.0 (45.4)	17.0 (64.3)	19.0 (680)	51.0 (1841)	90.0 (3115)
2.0	6.3 (23.8)	14.0 (53.0)	20.0 (75.7)	22.0 (793)	60.0 (2181)	100.0 (3965)
3.5	11.0 (41.6)	25.0 (94.6)	35.0 (132.5)	39.0 (1359)	100.0 (3682)	180.0 (6797)
3.8	12.0 (45.4)	27.0 (102.2)	38.0 (143.8)	43.0 (1501)	110.0 (3965)	200.0 (7363)
4.6	15.0 (56.8)	33.0 (124.9)	46.0 (174.1)	52.0 (1812)	140.0 (5098)	240.0 (8779)

Tabla de Dimensiones

Orden Básico Numérico	Conexiones Finales	Orificios		Cv	Dimensiones mm (inches)									
		mm	inch		L	L1	H1	H2	A	T ^①	D	H	W	
V823A-	D1T-	1/16" Dk-Lok	1.3	0.052	0.08	42.7(1.68)	21.3(0.84)	20.6(0.81)	8.6(0.34)	28.7(1.13)	6.4(1/4)	15.0(19/32)	34.5(1.36)	14.7(0.58)
	D2T-	1/8" Dk-Lok	2.4	0.093	0.15	51.1(2.01)	25.7(1.01)	24.6(0.97)	8.6(0.34)	28.7(1.13)	6.4(1/4)	15.0(19/32)	34.5(1.36)	14.7(0.58)
	D4T-	1/4" Dk-Lok	3.2	0.125	0.35	56.1(2.21)	27.9(1.10)	27.2(1.07)	8.6(0.34)	28.7(1.13)	6.4(1/4)	15.0(19/32)	34.5(1.36)	14.7(0.58)
	D3M-	3mm Dk-Lok	2.4	0.093	0.15	51.1(2.01)	25.7(1.01)	24.6(0.97)	8.6(0.34)	28.7(1.13)	6.4(1/4)	15.0(19/32)	34.5(1.36)	14.7(0.58)
	D6M-	6mm Dk-Lok	3.2	0.125	0.35	56.1(2.21)	27.9(1.10)	27.2(1.07)	8.6(0.34)	28.7(1.13)	6.4(1/4)	15.0(19/32)	34.5(1.36)	14.7(0.58)
	F2N-	1/8" Female NPT	3.2	0.125	0.3	41.4(1.63)	20.6(0.81)	20.6(0.81)	8.6(0.34)	28.7(1.13)	6.4(1/4)	15.0(19/32)	34.5(1.36)	14.7(0.58)
V823B-	D4T-	1/4" Dk-Lok	4.8	0.187	0.90	60.7(2.39)	30.5(1.20)	29.7(1.17)	11.2(0.44)	38.9(1.53)	4.8(3/16)	19.8(25/32)	39.6(1.56)	19.8(0.78)
	D6M-	6mm Dk-Lok	4.8	0.187	0.90	60.7(2.39)	30.5(1.20)	29.7(1.17)	11.2(0.44)	38.9(1.53)	4.8(3/16)	19.8(25/32)	39.6(1.56)	19.8(0.78)
	D8M-	8mm Dk-Lok	4.8	0.187	0.80	62.5(2.46)	31.2(1.23)	30.5(1.20)	11.2(0.44)	38.9(1.53)	4.8(3/16)	19.8(25/32)	39.6(1.56)	19.8(0.78)
	F4N-	1/4" Female NPT	4.8	0.187	0.75	52.3(2.06)	26.2(1.03)	26.2(1.03)	11.2(0.44)	38.9(1.53)	4.8(3/16)	19.8(25/32)	39.6(1.56)	19.8(0.78)
	F4R-	1/4" ISO Female Tapered	4.8	0.187	0.75	52.3(2.06)	26.2(1.03)	26.2(1.03)	11.2(0.44)	38.9(1.53)	4.8(3/16)	19.8(25/32)	39.6(1.56)	19.8(0.78)
V823C-	D6T-	3/8" Dk-Lok	7.1	0.281	2.0	73.4(2.89)	36.8(1.45)	36.3(1.43)	14.2(0.56)	50.8(2.00)	9.7(3/8)	28.7(1-1/8)	52.6(2.07)	28.4(1.12)
	D10M-	10mm Dk-Lok	7.1	0.281	2.0	73.4(2.89)	36.8(1.45)	36.3(1.43)	14.2(0.56)	50.8(2.00)	9.7(3/8)	28.7(1-1/8)	52.6(2.07)	28.4(1.12)
	F4N-	1/4" Female NPT	7.1	0.281	1.7	63.5(2.50)	31.8(1.25)	31.8(1.25)	14.2(0.56)	50.8(2.00)	9.7(3/8)	28.7(1-1/8)	52.6(2.07)	28.4(1.12)
	F6N-	3/8" Female NPT	7.1	0.281	1.5	63.5(2.50)	31.8(1.25)	31.8(1.25)	14.2(0.56)	50.8(2.00)	9.7(3/8)	28.7(1-1/8)	52.6(2.07)	28.4(1.12)
V823D-	F6R-	3/8" ISO Female Tapered	7.1	0.281	1.5	63.5(2.50)	31.8(1.25)	31.8(1.25)	14.2(0.56)	50.8(2.00)	9.7(3/8)	28.7(1-1/8)	52.6(2.07)	28.4(1.12)
	D8T-	1/2" Dk-Lok	10.3	0.406	4.6	88.4(3.48)	44.2(1.74)	44.2(1.74)	17.5(0.69)	76.2(3.00)	9.7(3/8)	38.1(1-1/2)	61.7(2.43)	38.1(1.50)
	D12T-	3/4" Dk-Lok	10.3	0.406	3.8	88.4(3.48)	44.2(1.74)	44.2(1.74)	17.5(0.69)	76.2(3.00)	9.7(3/8)	38.1(1-1/2)	61.7(2.43)	38.1(1.50)
	D12M-	12mm Dk-Lok	9.5	0.375	4.6	88.4(3.48)	44.2(1.74)	44.2(1.74)	17.5(0.69)	76.2(3.00)	9.7(3/8)	38.1(1-1/2)	61.7(2.43)	38.1(1.50)
	F8N-	1/2" Female NPT	10.3	0.406	3.5	79.5(3.13)	39.6(1.56)	39.6(1.56)	17.5(0.69)	76.2(3.00)	9.7(3/8)	38.1(1-1/2)	61.7(2.43)	38.1(1.50)
	F8R-	1/2" ISO Female Tapered	10.3	0.406	3.5	79.5(3.13)	39.6(1.56)	39.6(1.56)	17.5(0.69)	76.2(3.00)	9.7(3/8)	38.1(1-1/2)	61.7(2.43)	38.1(1.50)

Todas las dimensiones que se muestran son sólo para referencia y están sujetas a cambios.