

Válvula de Bola, 2 Vías ON-OFF

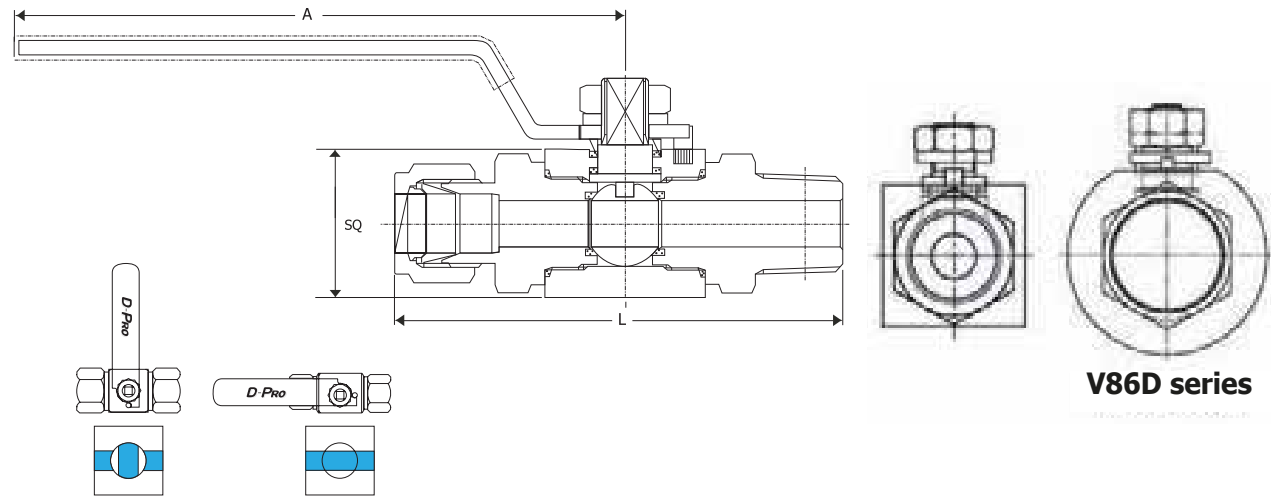


Tabla de Dimensiones

Básico Orden Numérico	Conexiones Finales Entrada y Salida	Orificio mm (in.)	Cv	Dimensiones mm (in.)			
				A	H	L	SQ
V86A-	D-4T	1/4 in. Dk-Lok	4.8 (0.19)	108.3 (4.26)	38.4 (1.52)	96.00 (3.78)	32.0 (1.26)
	D-6T	3/8 in. Dk-Lok	7.1 (0.28)			102.50 (4.04)	
	D-8T	1/2 in. Dk-Lok	10.0 (0.39)			107.60 (4.24)	
	F-4N	1/4 in. Female NPT	7.1 (0.28)	74.00 (2.91)			
	F-6N	3/8 in. Female NPT	10.0 (0.39)	77.00 (3.03)			
	F-8N	1/2 in. Female NPT	7.1 (0.28)	85.00 (3.35)			
	M-4N	1/4 in. Male NPT	10.0 (0.39)	95.40 (3.76)			
	M-6N	3/8 in. Male NPT	7.1 (0.28)	95.40 (3.76)			
	M-8N	1/2 in. Male NPT	10.0 (0.39)	100.20 (3.94)			
V86B- VC86B-	F-8N	1/2 in. Female NPT	12.7 (0.50)	149.0 (5.86)	51.0 (2.00)	89.00 (3.50)	40.0 (1.57)
	F-12N	3/4 in. Female NPT	10.0 (0.39)			90.00 (3.54)	
	D-12M	12mm Dk-Lok	12.7 (0.50)			110.00 (4.33)	
	D-16M	16mm Dk-Lok	10.4 (0.41)			116.00 (4.56)	
	D-8T	1/2 in. Dk-Lok	12.7 (0.50)			110.00 (4.33)	
	D-10T	5/8 in. Dk-Lok	12.7 (0.50)			116.00 (4.56)	
V86C- VC86C-	D-12T	3/4 in. Dk-Lok	19.0 (0.75)	149.0 (5.86)	56.0 (2.20)	115.00 (4.52)	50.0 (1.97)
	F-12N	3/4 in. Female NPT	15.7 (0.62)			108.00 (4.25)	
	F-16N	1 in. Female NPT	19.0 (0.75)			127.00 (5.00)	
	D-12T	3/4 in. Dk-Lok	15.7 (0.62)			125.00 (4.92)	
	D-16T	1 in. Dk-Lok	19.0 (0.75)			134.00 (5.27)	
	M-12N	3/4 in. Male NPT	15.7 (0.62)			119.00 (4.68)	
VC86D	M-16N	1 in. Male NPT	19.0 (0.75)	129.00 (5.07)			
	F-16N	1 in. Female NPT	25.0 (0.98)	158.0 (6.22)	84.10 (3.31)	112.90 (4.44)	80.0*(3.15)

Accionamiento de Válvula de 2 Vías

Válvulas Series	Sistema de Presión, bar (psig)		
	0 (0)	344 (5000)	413 (6000)
	Torque Unit: Nm		
V86A	3.92	-	6.37
V86B	7.35	10.3	-
V86C	12.26	19.61	-

Válvulas CNG/NGV

Válvula Series	Sistema de Presión, bar (psig)	
	0 (0)	344 (5000)
	Torque Unit: Nm	
VC86B	5.19	10.59
VC86C	2.15	5.88
VC86D	7.35	9.80