

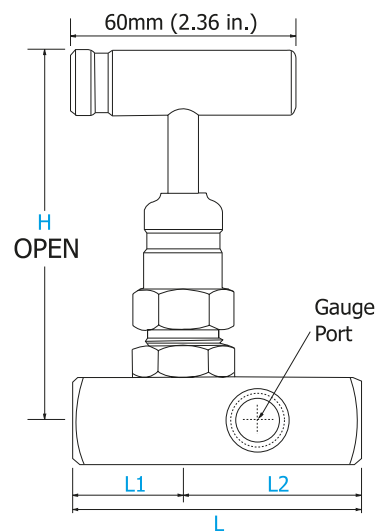
Válvula V96

Opción de montaje en panel

- Agujero panel de tamaño de perforación 25/32 (19.8mm) max. Espesor panel 1/2 (12.7 mm)

Opción de servicio de gas

- Se seleccionan los materiales de acuerdo con las normas NACE.



Gauge Port Valves
V96A-G4 series
V96B-G8 series

Tabla de Dimensiones

Orden Básico Numérico	Conexiones Finales		Orificio mm(in.)	Cv	Dimensiones, mm(in.)				
	Entrada	Salida			L	L1	L2	H	
V96A-	F-4N	1/4 in. Female NPT		4.8 (0.187)	0.63	56.9 (2.24)	28.4 (1.12)	28.4 (1.12)	95.8 (3.77)
	MF-4N	1/4 in. Male NPT	1/4 in. Female NPT			73.4 (2.90)	45.2 (1.78)		
	MF-8N4N	1/2 in. Male NPT	1/4 in. Female NPT			76.5 (3.01)	48.0 (1.89)		
V96A-G4*-	F-4N	1/4 in. Female NPT		6.4 (0.25)	1.8	72.9 (2.87)	28.4 (1.12)	44.4 (1.75)	97.3 (3.83)
	MF-8N4N	1/2 in. Male NPT	1/4 in. Female NPT			124 (4.87)	79.2 (3.12)		
V96B-	F-8N	1/2 in. Female NPT		6.4 (0.25)	1.8	67.6 (2.66)	33.8 (1.33)	33.8 (1.33)	97.3 (3.83)
	MF-8N	1/2 in. Male NPT	1/2 in. Female NPT			88.6(3.49)	54.9 (2.16)		
	MF-12N8N	3/4 in. Male NPT	1/2 in. Female NPT			90.9 (3.58)	33.8 (1.33)		
V96B-G8*-	F-8N	1/2 in. Female NPT		6.4 (0.25)	1.8	142 (5.58)	84.6 (3.33)	57.2 (2.25)	97.3 (3.83)
	MF-8N	1/2 in. Male NPT	1/2 in. Female NPT						
	MF-12N8N	3/4 in. Male NPT	1/2 in. Female NPT						

Todas las dimensiones que se muestran son sólo para referencia y están sujetas a cambios .
V96A-G4* Conexión Manómetro: 1/4 in. Female NPT, V96B-G8*: 1/2 in. Female NPT.