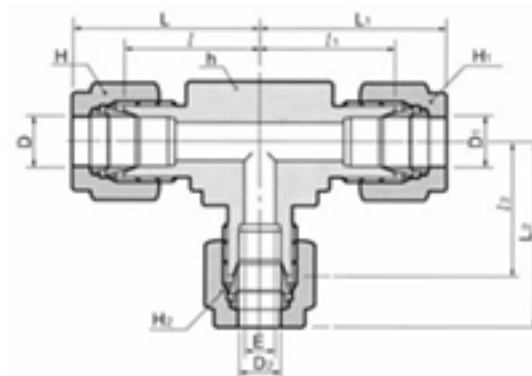


Unión Tee Tubo Reducción DTR



Conector Pulgada

Part No.	Port 1		Port 2		Port 3		E Min.
	D In	mm	D ₁ In	mm	D ₂ In	mm	
DTR 4-42	1/4	6.35	1/4	6.35	1/8	3.17	2.4
DTR 4-46	1/4	6.35	1/4	6.35	3/8	9.52	4.8
DTR 4-88	1/4	6.35	1/2	12.7	1/2	12.7	4.8
DTR 6-46	3/8	9.52	1/4	6.35	3/8	9.52	4.8
DTR 6-64	3/8	9.52	3/8	9.52	1/4	6.35	4.8
DTR 6-68	3/8	9.52	3/8	9.52	1/2	12.7	7.1
DTR 8-46	1/2	12.7	1/4	6.35	3/8	9.52	4.8
DTR 8-48	1/2	12.7	1/4	6.35	1/2	12.7	7.1
DTR 8-66	1/2	12.7	3/8	9.52	3/8	9.52	7.1
DTR 8-84	1/2	12.7	1/2	12.7	1/4	6.35	4.8
DTR 8-86	1/2	12.7	1/2	12.7	3/8	9.52	7.1
DTR 10-106	5/8	15.87	5/8	15.87	3/8	9.52	7.1
DTR 12-8-12	3/4	19.05	1/2	12.7	3/4	19.05	10.41
DTR 12-124	3/4	19.05	3/4	19.05	1/4	6.35	4.8
DTR 12-126	3/4	19.05	3/4	19.05	3/8	9.52	7.1
DTR 12-128	3/4	19.05	3/4	19.05	1/2	12.7	10.41
DTR 12-12-16	3/4	19.05	3/4	19.05	1	25.4	16.0
DTR 12-12-20	3/4	19.05	3/4	19.05	1-1/4	31.75	16.0

Conector Métrico

Part No.	Port 1		Port 2		Port 3		E Min
	D	mm	D ₁	mm	D ₂	mm	
DTR 3M-3M-6M	3	3	3	6	6	2.4	
DTR 8M-8M-6M	8	8	8	6	6	4.8	
DTR 10M-10M-6M	10	10	10	6	6	4.8	
DTR 10M-10M-12M	10	10	10	12	12	7.9	
DTR 12M-6M-10M	12	6	10	6	10	4.8	
DTR 12M-6M-12M	12	6	12	6	12	4.8	
DTR 12M-10M-10M	12	10	10	10	10	7.9	
DTR 12M-12M-10M	12	12	10	10	10	7.9	
DTR 12M-12M-6M	12	12	6	6	6	4.8	
DTR 15M-15M-12M	15	15	12	12	12	9.8	
DTR 16M-16M-12M	16	16	12	12	12	9.8	
DTR 18M-18M-12M	18	18	12	12	12	9.8	
DTR 20M-12M-20M	20	12	20	12	20	9.8	
DTR 20M-20M-6M	20	20	6	6	6	4.8	