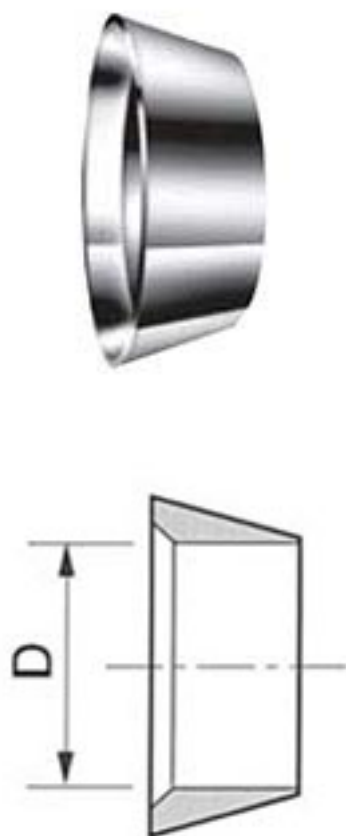


## Ferrula Frontal DFF



### Férrula Pulgada

Part N°	Tube O.D. D	
	in	mm
DFF - 1	1/16	1.59
DFF - 2	1/8	3.17
DFF - 3	3/16	4.76
DFF - 4	1/4	6.35
DFF - 5	5/16	7.93
DFF - 6	3/8	9.52
DFF - 8	1/2	12.70
DFF - 10	5/8	15.87
DFF - 12	3/4	19.05
DFF - 14	7/8	22.22
DFF - 16	1	25.40
DFF - 20	1-1/4	31.75
DFF - 24	1-1/2	38.10
DFF - 32	2	50.80

### Férrula Métrica

Part N°	Tube O.D. D
DFF - 2M	2
DFF - 3M	3
DFF - 4M	4
DFF - 6M	6
DFF - 8M	8
DFF - 10M	10
DFF - 12M	12
DFF - 15M	15
DFF - 16M	16
DFF - 18M	18
DFF - 20M	20
DFF - 22M	22
DFF - 25M	25
DFF - 28M	28
DFF - 32M	32
DFF - 38M	38