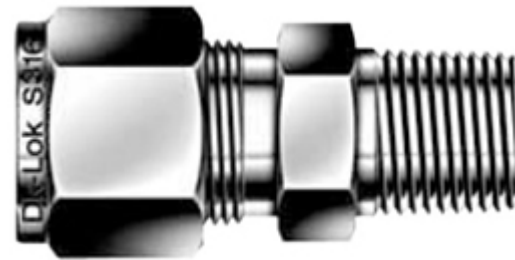
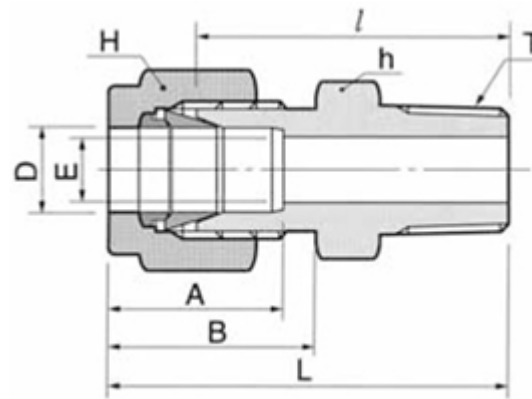


# Conector Tubo Macho DMC-N



## Conector Pulgada NPT

Part No.	Tube O.D.		T NPT	E Min.
	In	mm		
DMC1-1N	1/16	1.59	1/16	1.27
DMC1-2N	1/16	1.59	1/8	1.27
DMC1-4N	1/16	1.59	1/4	1.27
DMC2-1N	1/8	3.17	1/16	2.28
DMC2-2N	1/8	3.17	1/8	2.28
DMC2-4N	1/8	3.17	1/4	2.28
DMC2-6N	1/8	3.17	3/8	2.28
DMC2-8N	1/8	3.17	1/2	2.28
DMC3-2N	3/16	4.76	1/8	3.04
DMC3-4N	3/16	4.76	1/4	3.04
DMC4-1N	1/4	6.35	1/16	4.82
DMC4-2N	1/4	6.35	1/8	4.82
DMC4-4N	1/4	6.35	1/4	4.82
DMC4-6N	1/4	6.35	3/8	4.82
DMC4-8N	1/4	6.35	1/2	4.82
DMC4-12N	1/4	6.35	3/4	4.82
DMC5-2N	5/16	7.93	1/8	4.82
DMC5-4N	5/16	7.93	1/4	6.35
DMC5-6N	5/16	7.93	3/8	6.35
DMC5-8N	5/16	7.93	1/2	6.35
DMC6-2N	3/8	9.52	1/8	4.82
DMC6-4N	3/8	9.52	1/4	7.11
DMC6-6N	3/8	9.52	3/8	7.11
DMC6-8N	3/8	9.52	1/2	7.11
DMC6-12N	3/8	9.52	3/4	7.11
DMC6-16N	3/8	9.52	1	7.11
DMC8-2N	1/2	12.70	1/8	4.82
DMC8-4N	1/2	12.70	1/4	7.11
DMC8-6N	1/2	12.70	3/8	9.65
DMC8-8N	1/2	12.70	1/2	10.41
DMC8-12N	1/2	12.70	3/4	10.41
DMC8-16N	1/2	12.70	1	10.41
DMC10-4N	5/8	15.87	1/4	6.35
DMC10-6N	5/8	15.87	3/8	9.65
DMC10-8N	5/8	15.87	1/2	11.93
DMC10-12N	5/8	15.87	3/4	12.70
DMC12-6N	3/4	19.05	3/8	9.65
DMC12-8N	3/4	19.05	1/2	11.93
DMC12-12N	3/4	19.05	3/4	15.74



## Conector Métrico NPT

Part No.	Tube O.D. D	T NPT	E Min.
DMC2M-2N	2	1/8	1.7
DMC3M-2N	3	1/8	2.4
DMC3M-4N	3	1/4	2.4
DMC4M-2N	4	1/8	2.4
DMC4M-4N	4	1/4	2.4
DMC6M-2N	6	1/8	4.8
DMC6M-4N	6	1/4	4.8
DMC6M-6N	6	3/8	4.8
DMC6M-8N	6	1/2	4.8
DMC8M-2N	8	1/8	4.8
DMC8M-4N	8	1/4	6.4
DMC8M-6N	8	3/8	6.4
DMC8M-8N	8	1/2	6.4
DMC10M-2N	10	1/8	4.8
DMC10M-4N	10	1/4	7.1
DMC10M-6N	10	3/8	7.9
DMC10M-8N	10	1/2	7.9
DMC10M-12N	10	3/4	7.9
DMC12M-2N	12	1/8	4.8
DMC12M-4N	12	1/4	7.1
DMC12M-6N	12	3/8	9.5
DMC12M-8N	12	1/2	9.5
DMC12M-12N	12	3/4	9.5