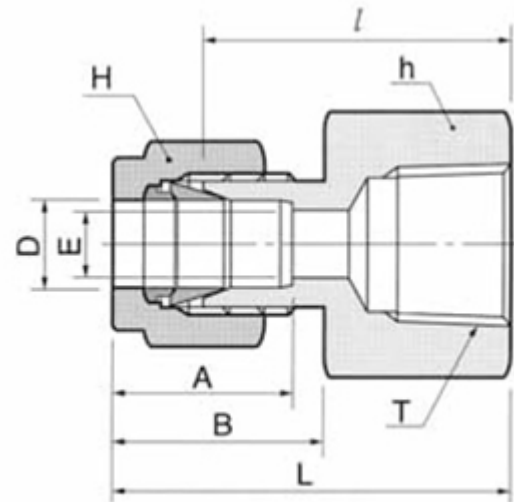
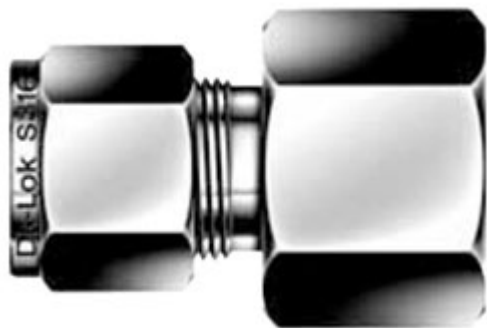


Conector Hembra DCF-N



Conector Pulgada NPT

Part No.	Tube O.D.		T NPT	E Min.
	In	D mm		
DFC1-1N	1/16	1.59	1/16	1.27
DFC1-2N	1/16	1.59	1/8	1.27
DFC2-2N	1/8	3.17	1/8	2.28
DFC2-4N	1/8	3.17	1/4	2.28
DFC3-2N	3/16	4.76	1/8	3.04
DFC4-2N	1/4	6.35	1/8	4.82
DFC4-4N	1/4	6.35	1/4	4.82
DFC4-6N	1/4	6.35	3/8	4.82
DFC4-8N	1/4	6.35	1/2	4.82
DFC5-2N	5/16	7.93	1/8	6.35
DFC5-4N	5/16	7.93	1/4	6.35
DFC6-2N	3/8	9.52	1/8	7.11
DFC6-4N	3/8	9.52	1/4	7.11
DFC6-6N	3/8	9.52	3/8	7.11
DFC6-8N	3/8	9.52	1/2	7.11
DFC6-12N	3/8	9.52	3/4	7.11
DFC8-4N	1/2	12.70	1/4	10.41
DFC8-6N	1/2	12.70	3/8	10.41
DFC8-8N	1/2	12.70	1/2	10.41
DFC8-12N	1/2	12.70	3/4	10.41
DFC10-6N	5/8	15.87	3/8	12.70
DFC10-8N	5/8	15.87	1/2	12.70
DFC10-12N	5/8	15.87	3/4	12.70
DFC12-8N	3/4	19.05	1/2	15.74
DFC12-12N	3/4	19.05	3/4	15.74

Conector Métrico NPT

Part No.	Tube O.D. D	T NPT	E Min.
DCF 3M-2N	3	1/8	2.4
DCF 3M-4N	3	1/4	2.4
DCF 4M-2N	4	1/8	2.4
DCF 6M-2N	6	1/8	4.8
DCF 6M-4N	6	1/4	4.8
DCF 6M-6N	6	3/8	4.8
DCF 6M-8N	6	1/2	4.8
DCF 8M-2N	8	1/8	6.4
DCF 8M-4N	8	1/4	6.4
DCF 8M-6N	8	3/8	6.4
DCF 8M-8N	8	1/2	6.4
DCF 10M-2N	10	1/8	7.9
DCF 10M-4N	10	1/4	7.9
DCF 10M-6N	10	3/8	7.9
DCF 10M-8N	10	1/2	7.9
DCF 12M-2N	12	1/8	8.3
DCF 12M-4N	12	1/4	9.5
DCF 12M-6N	12	3/8	9.5
DCF 12M-8N	12	1/2	9.5
DCF 12M-12N	12	3/4	9.5